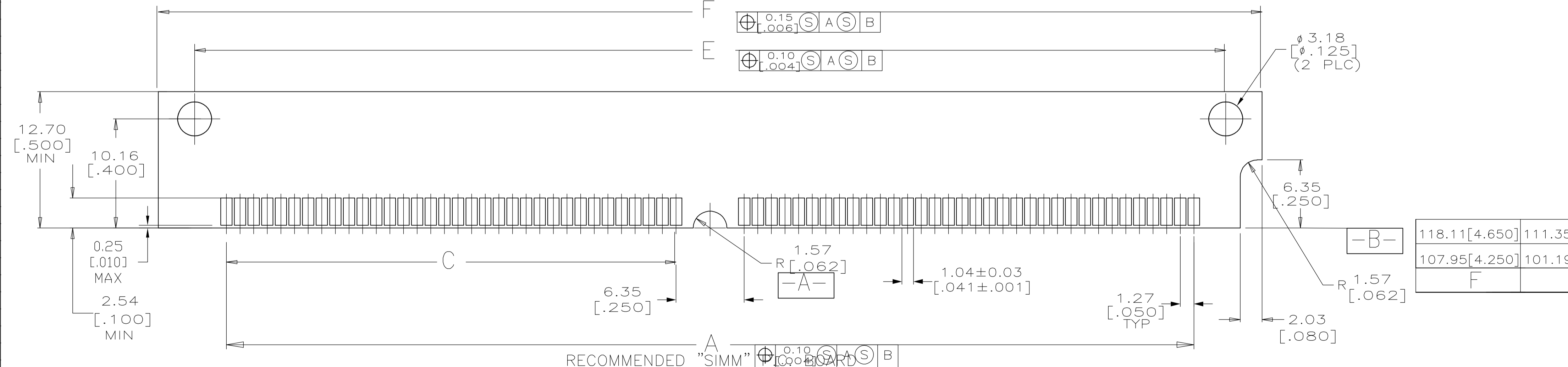
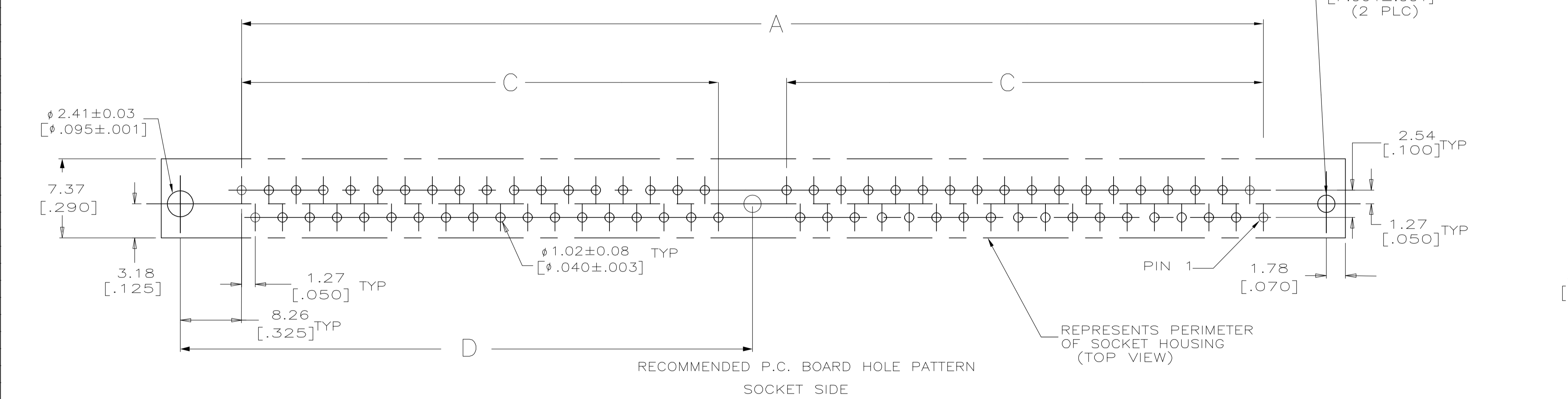
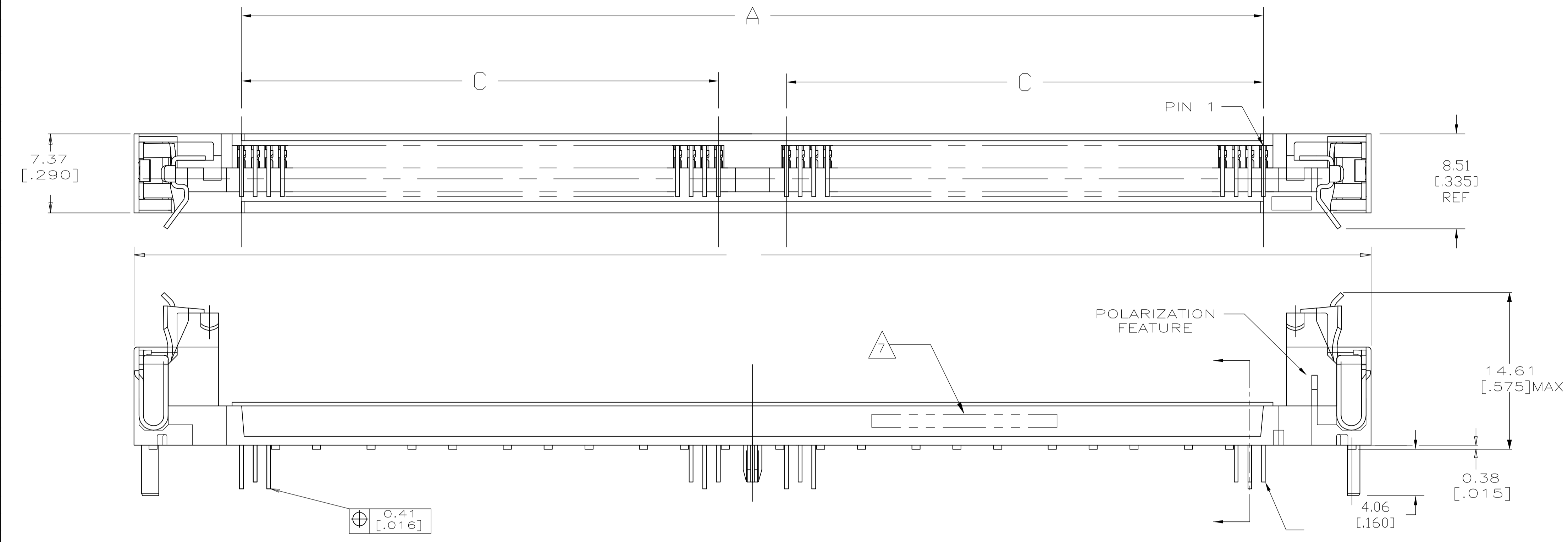
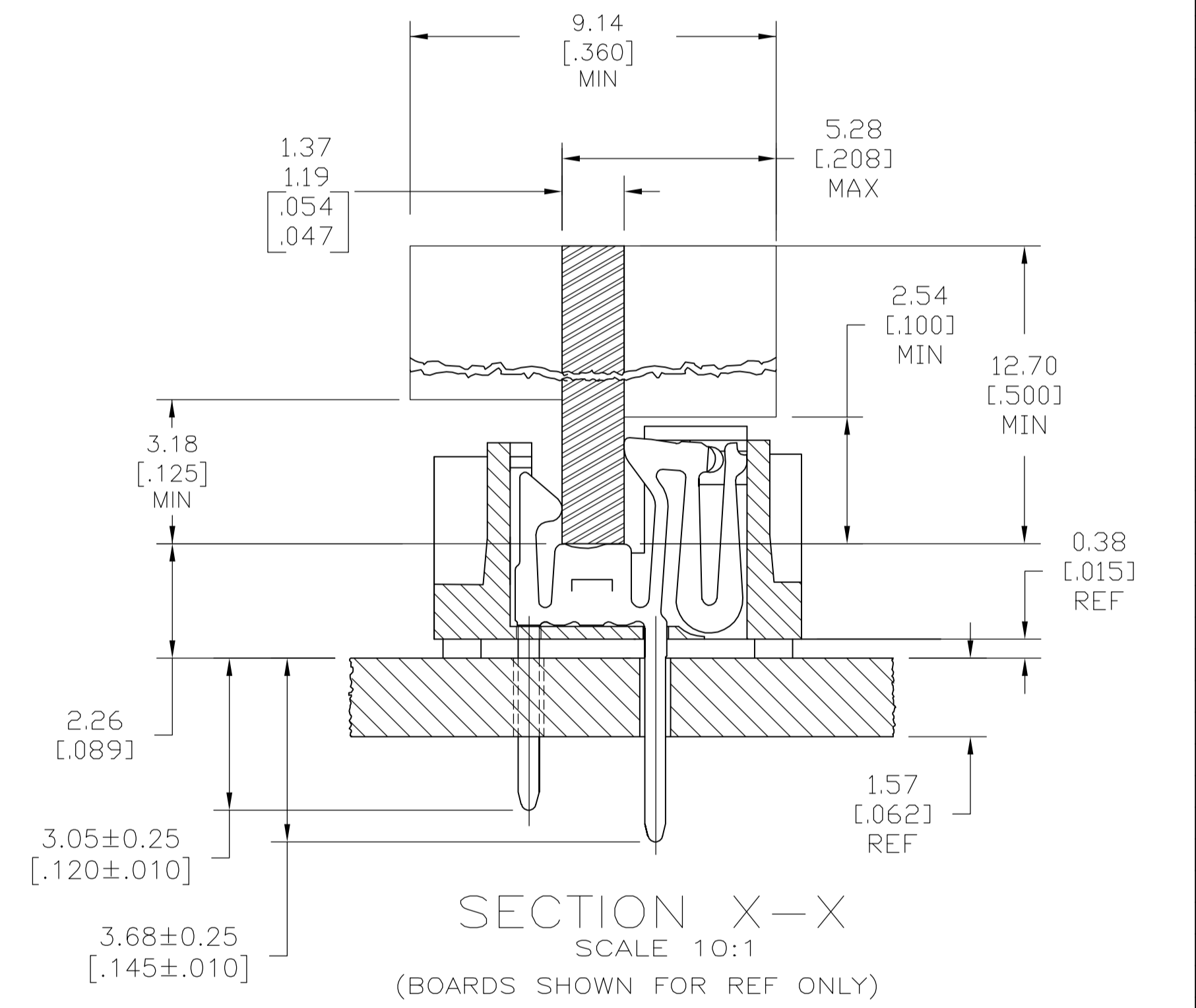


LOC		DIST		REVISED PER				REVISIONS	
GP	00	F	LTR	DESCRIPTION	DATE	OWN	APVD		
B				REVISED PER ECO-06-002423	08JUN06	JDP	MDJ		



- △ HOUSING-MATERIAL : LIQUID-CRYSTAL-POLYMER, COLOR: NATURAL.
- △ CONTACT-MATERIAL : PHOS. BRONZE.
- △ LATCH-MATERIAL : BRASS, NICKEL PLATE
- △ CONTACT-PLATE: 0.00508[.000200] MIN MATTE TIN OVER 0.00127 [.000050] MIN NICKEL.
- 5. IN ADDITION TO THOSE RECOMMENDED "SIMM" P.C. BOARD DIMENSIONS AND TOLERANCES SHOWN, ALL JEDEC SPECIFICATIONS APPLY AS SHOWN ON MO-116, ISSUE A.
- 6. RECOMMENDED MATING S.I.M.M. TAB METALLURGY:  
 BASE METAL-COPPER. PLATING TO BE 0.00762[.000300] MIN TIN/LEAD OVER 0.00127[.000050] MIN NICKEL.
- △ DATE CODE: (YEAR WEEK) XXXX FORMAT, LOCATED APPROXIMATELY AS SHOWN ON OPPOSITE SIDE.



118.11[4.650]	111.35[4.384]	60.96[2.400]	49.53[1.950]	125.73[4.950]	105.41[4.150]	80	5822021-5
107.95[4.250]	101.19[3.984]	55.88[2.200]	44.45[1.750]	115.57[4.550]	95.25[3.750]	72	5822021-4
F	E	D	C	B	A	NO OF POSN	PART NO

THIS DRAWING IS A CONTROLLED DOCUMENT.		DIN S. WAITMAN SJANOS		Tyco Electronics Corporation	
DIMENSIONS: mm [INCHES]		CIRK M.YFOMANS SJANOS		Harrisburg, PA 17105-3608	
TOLERANCES UNLESS OTHERWISE SPECIFIED:		APVD M.YFOMANS SJANOS		NAME	
0 PLC	±	PRODUCT SPEC		CONNECTOR, MICRO-EDGE, .050, VERTICAL, TIN PLATE, METAL LATCH	
1 PLC	±	APPLICATION SPEC		SIZE	
2 PLC	± 0.13[.005]	WEIGHT		CAGE CODE	
3 PLC	±	CUSTOMER DRAWING		DRAWING NO	
4 PLC	±	SCALE		SHEET	
ANGLES	±	SCALE 4:1		SHEET 1 OF 1	
FINISH	±	SCALE 4:1		REV	